

Board to Board Connectors

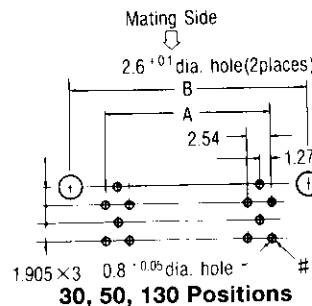
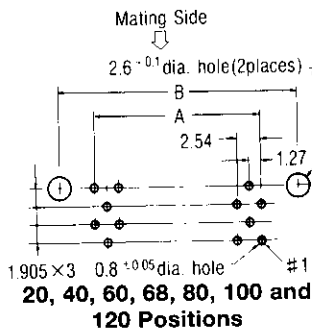
CHAMP 050 Series Connectors—Series I

For Board to Board Connection

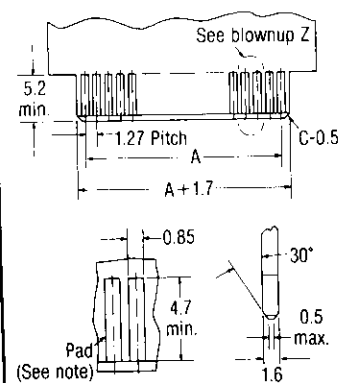
Receptacle Header for Horizontal Mount Type With Retention Leg

Material and Finish:
 Contacts—Phosphor bronze, duplex plated gold (see table) on contact area, 1µm min. tin-lead or tin on post area, with entire contact underplated 1µm min. nickel
 Housing—UL94V-0 rated, glass-filled 6/6 nylon, black
 Retention Leg—Brass, 2µm min. tin-lead or tin over underplated 1.3µm min. nickel.

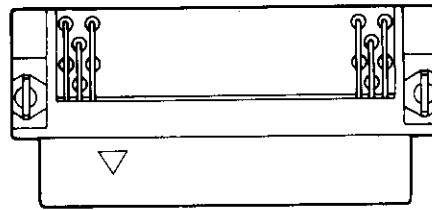
PC Board Layout
 (Required for solder resist on surface of PC board)
 (Connector mount side)



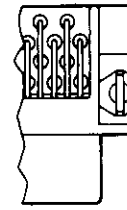
PC Board Edge Mounting Dimension



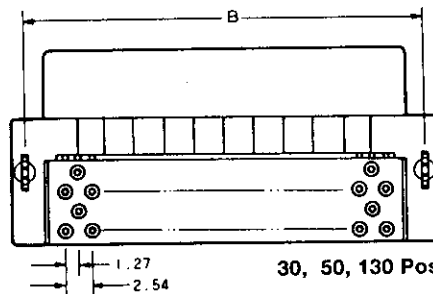
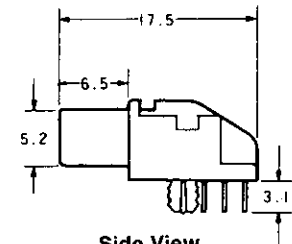
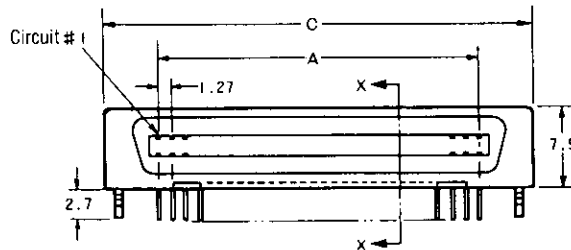
Note: Gold Pated 1.5µm min. with underplated nickel.



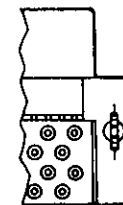
30, 50, 130 Pos.



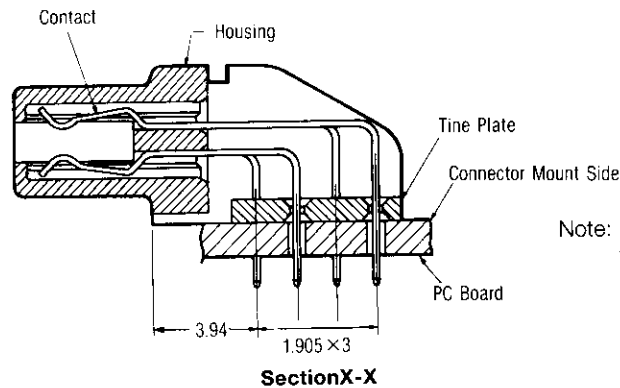
20, 40, 60, 68, 80
100, 120 Pos.



30, 50, 130 Pos.



20, 40, 60, 68, 80
100, 120 Pos.



Note: For details on 140-through 200-position assemblies, or when requiring heat resistant material, see our catalog 82244.

No. of Pos.	Dimensions			Part Number		
	A	B	C	0.2µm thk. gold plated	0.5µm thk. gold plated	0.76µm thk. gold plated
20	11.43	18.83	22.6	175474-1	3-175474-1	5-175474-1
30	17.78	25.18	29.0	175474-3	3-175474-3	5-175474-3
40	24.13	31.53	35.3	175474-5	3-175474-5	5-175474-5
50	30.48	37.88	41.7	175474-6	3-175474-6	5-175474-6
60	36.83	44.23	48.0	175474-7	3-175474-7	5-175474-7
68	41.91	49.31	53.1	175474-8	3-175474-8	5-175474-8
80	49.53	56.93	60.7	175474-9	3-175474-9	5-175474-9
100	62.23	69.63	73.4	1-175474-0	4-175474-0	6-175474-0
120	74.93	82.33	86.1	1-175474-1	4-175474-1	6-175474-1
130	81.28	88.68	92.5	1-175474-2	4-175474-2	6-175474-2